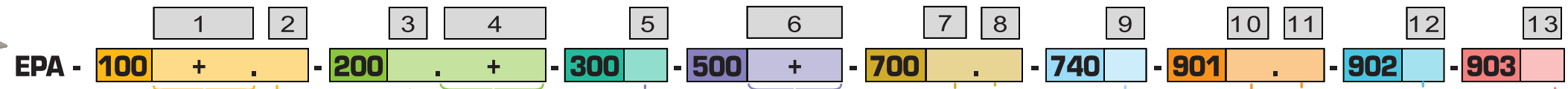
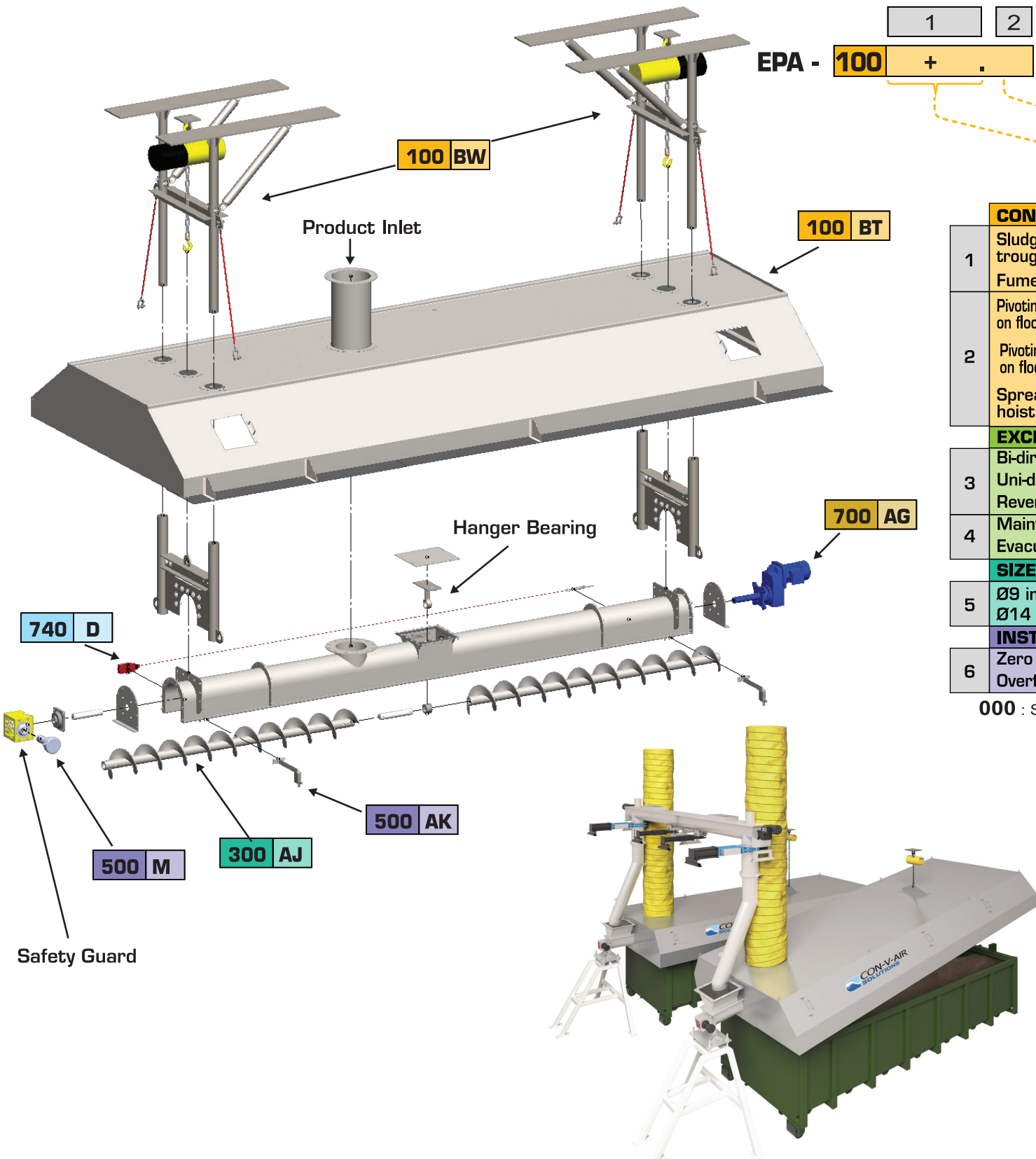
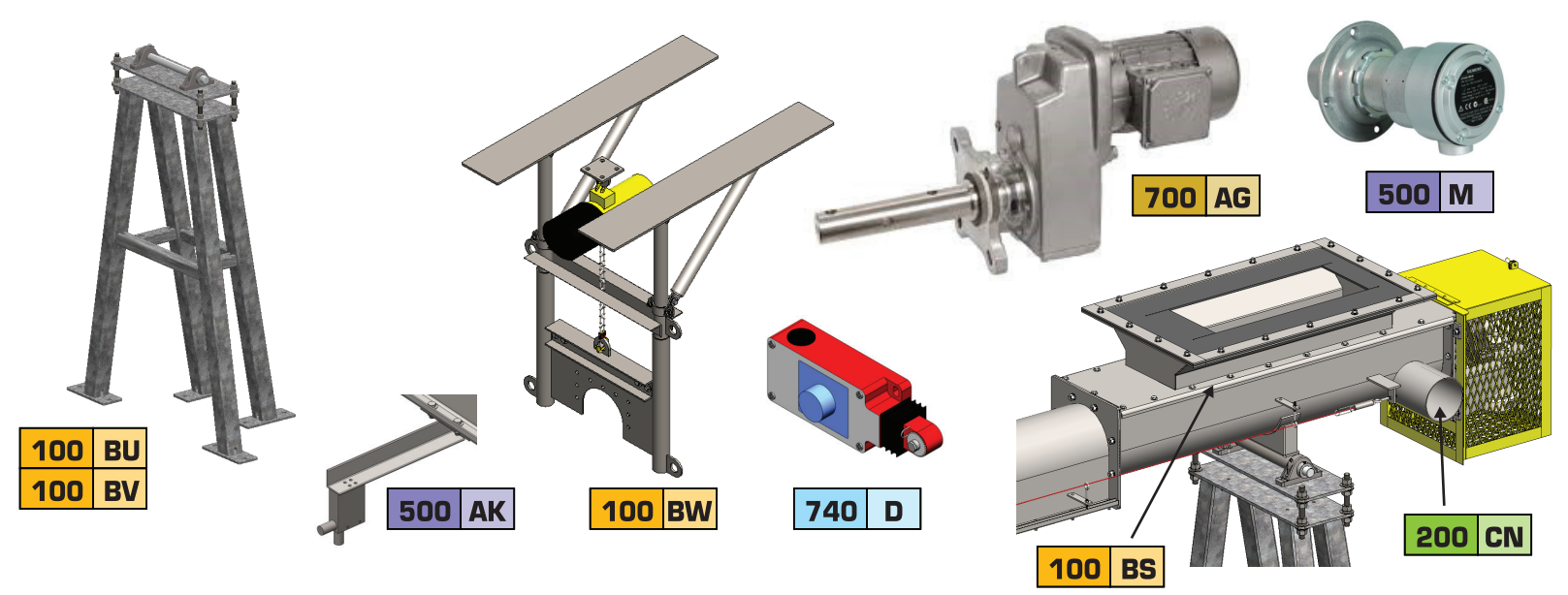


## EPA - SLUDGE SPREADER SYSTEM CONFIGURATOR

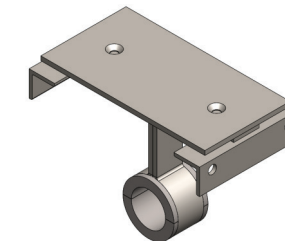
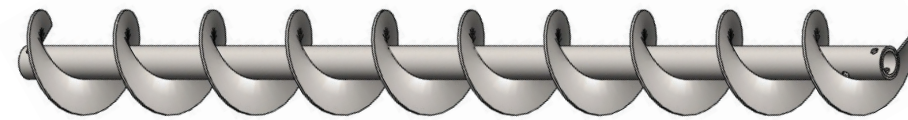
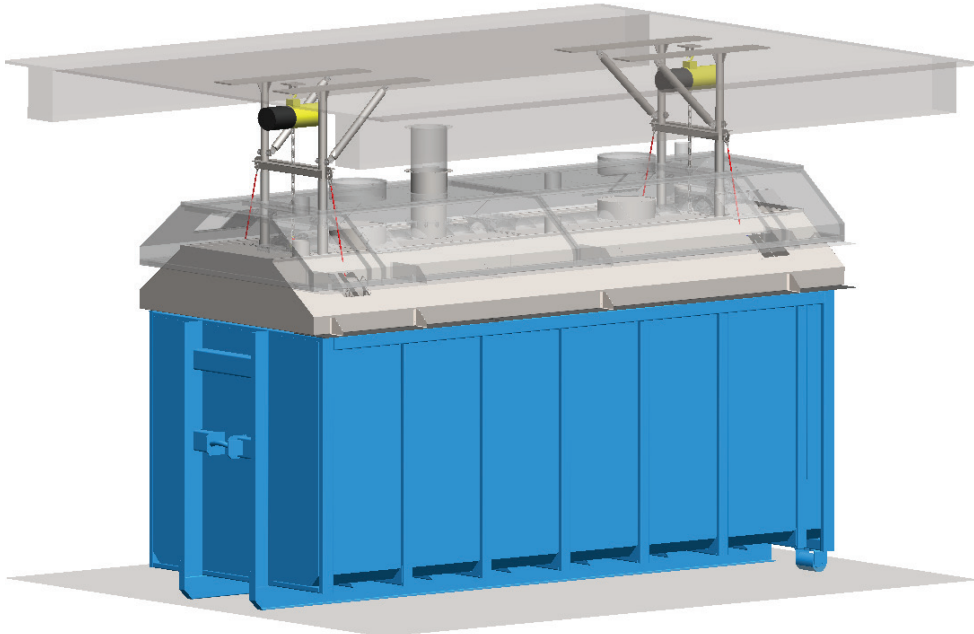
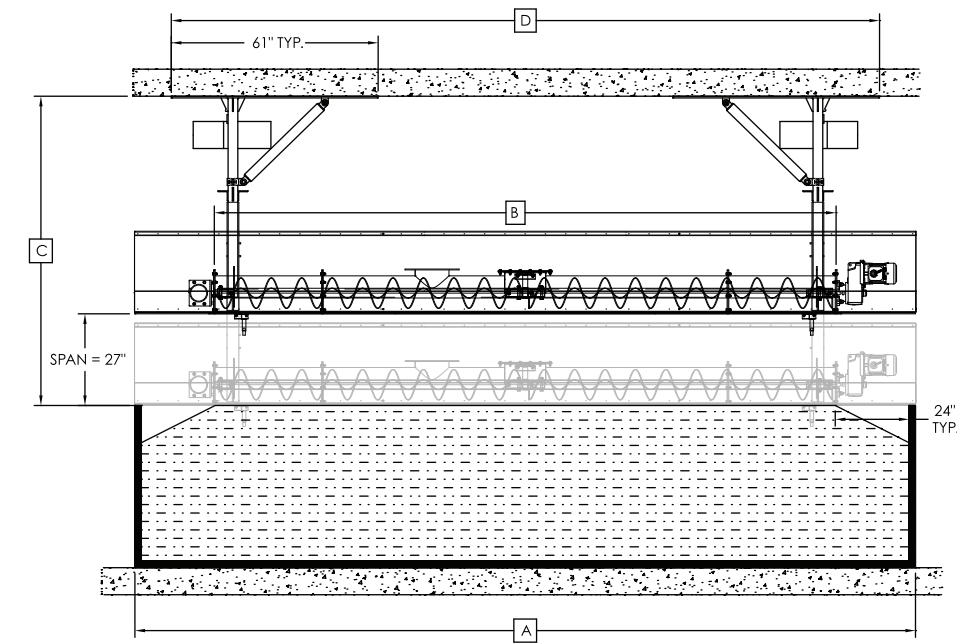
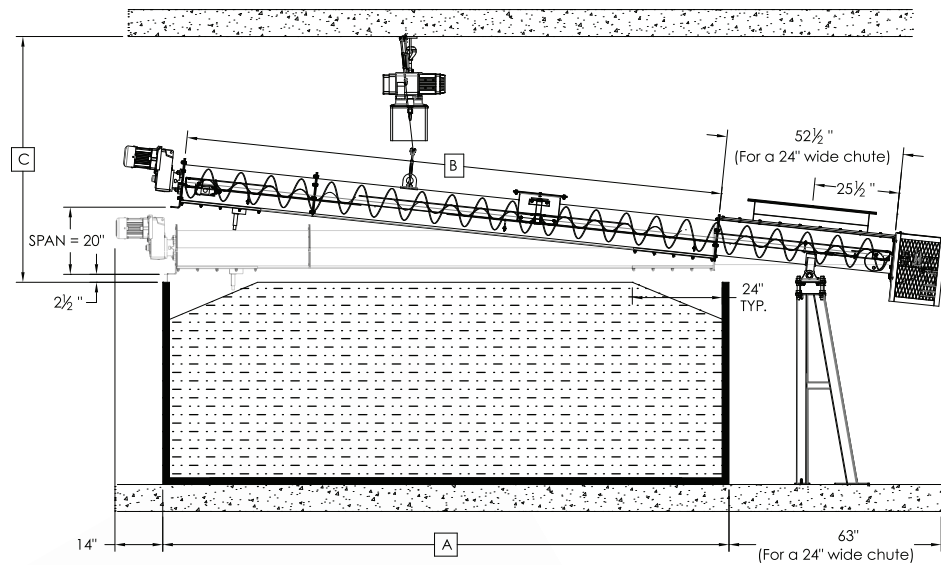
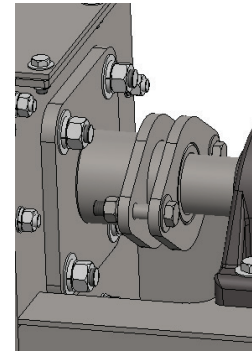
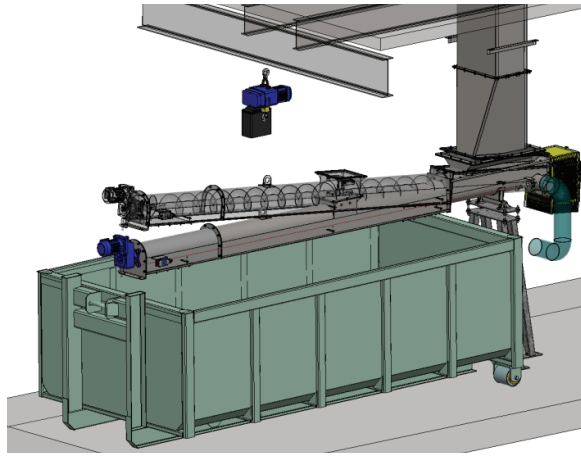


Section	Description	Option Code
<b>CONFIGURATION 100</b>		
1	Sludge inlet with inverted trough and flexible membrane	BS
	Fume hood	BT
2	Pivoting spreader with stationary support on floor and ceiling mounted manual hoist	BU
	Pivoting spreader with stationary support on floor and ceiling mounted electric hoist	BV
	Spreader with tandem electric hoist and telescopic supports	BW
<b>EXCLUSIVE OPTIONS 200</b>		
3	Bi-directional screw	EG
	Uni-directional screw	EH
	Reversible screw	EE
4	Maintenance hatch	CM
	Evacuation port for sludge that is too liquid	CN
<b>SIZES 300</b>		
5	Ø9 in. screw	AJ
	Ø14 in. screw	AM
<b>INSTRUMENTS 500</b>		
6	Zero speed switch	M
	Overflow switch for sludge dumpster	AK
<b>901 MATERIAL / FINISH / COATING</b>		
	Glass bead finish	CT
	Mill finish	CU
	#4 polish on welds in contact with the product	CV
	304L stainless steel construction	CW
	316 stainless steel construction	CX
<b>740 SAFETY DEVICE</b>		
	Emergency pull cable	D
<b>700 MOTOR &amp; GEARMOTOR</b>		
	380V/3/50Hz	AD
	460V/3/60Hz	AE
	575V/3/60Hz	AF
	1 HP CEMA gearmotor	AG
	1.5 HP CEMA gearmotor	AH
	2 HP CEMA gearmotor	AI
	3 HP CEMA gearmotor	AJ
<b>902 CONTROL PANEL</b>		
	Local control panel	F
	Equipment and instruments prewired to the control panel provided by CON-V-AIR	I
	Control panel provided by others	J
<b>903 CERTIFICATION / CLASSIFICATION</b>		
	Class 2, division 2	B
	Class 1, division 1	C

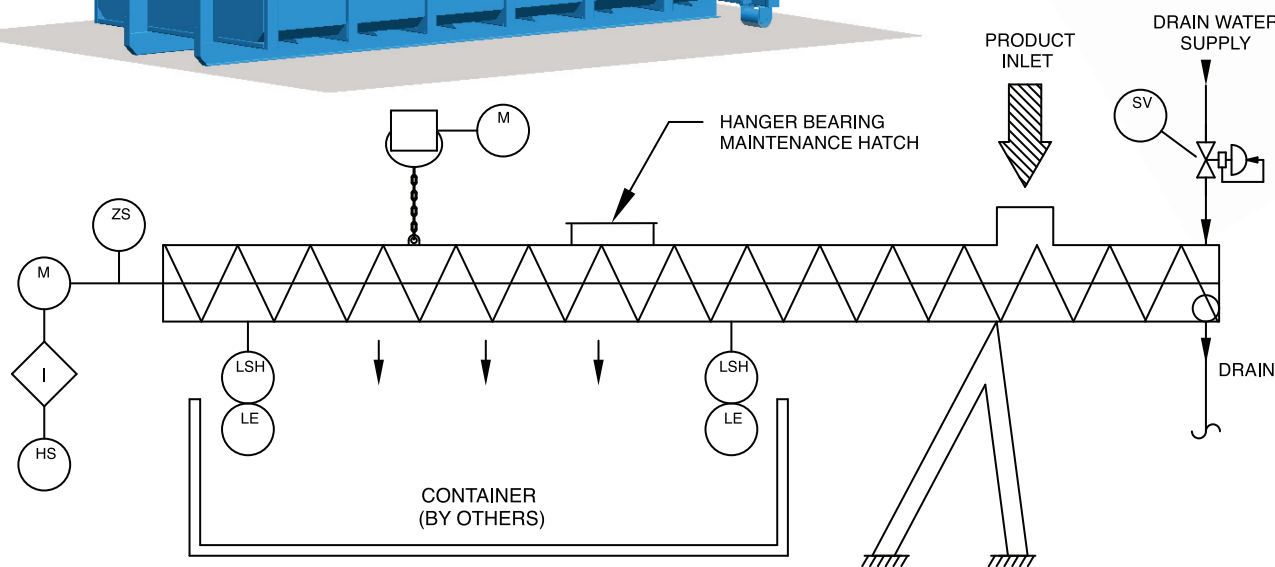
000 : Section number      Letters : Option code      + : Multiple options      . : Single option      Ø : Symbol to enter if no option selected



## EPA - SLUDGE SPREADER SYSTEM OPTIONS



SLUDGE SPREADER MAXIMUM CAPACITIES		
Screw Ø (in.)	Feed Rate (ft <sup>3</sup> /hr)	Screw Speed (RPM)
9	300	55
14	1040	50



ADDITIONAL OPTIONS	CONFIGURATION #	DIMENSIONS (For Ø9" sludge spreader) *								TOTAL CONSUMPTIONS		WEIGHT	
		CONTAINER LENGTH "A"		SPREADING LENGTH "B"		MIN. CLEARANCE "C"		CEILING SUPPORT SPAN "D"		MAX. WATER CONSUMPTION	ELECT.	TOTAL	
		in.	mm	in.	mm	in.	mm	in.	mm	GPM	PSI	HP	lbs
MODEL EPA-P (PIVOT)	- W/O FUME HOOD	EPA-100BS.BV		A - 10	A - 254	72	1829	-	-	-	-	1	960
	- W/ FUME HOOD	EPA-100BS+BT.BV		A - 10	A - 254	86	2184	-	-	-	-	1	1830
	- W/O FUME HOOD - EVACUATION PORT	EPA-100BS.BV-200CN		A - 10	A - 254	72	1829	-	-	17	60	1	960
	- W/ FUME HOOD - EVACUATION PORT	EPA-100BS+BT.BV-200CN		A - 10	A - 254	86	2184	-	-	17	60	1	1830
MODEL EPA-T (TANDEM)	- W/O FUME HOOD	EPA-100BW		A - 47	A - 1194	78.25	1988	B + 25.5	B + 648	-	-	2	1185
	- W/ FUME HOOD	EPA-100BT.BW		A - 47	A - 1194	91.5	2324	B + 25.5	B + 648	-	-	2	2055
	- W/O FUME HOOD - EVACUATION PORT	EPA-100BW-200CN		A - 47	A - 1194	78.3	1988	B + 25.5	B + 648	17	60	2	1185
	- W/ FUME HOOD - EVACUATION PORT	EPA-100BT.BW-200CN		A - 47	A - 1194	91.5	2324	B + 25.5	B + 648	17	60	2	2055